



EM - UV SYSTEM - UV SYSTEM - UV SYSTEM - UV SYSTEM - UV SYSTEM - UV SYSTEM - UV SYSTEM



EM - UV SYSTEM - UV SYSTEM - UV SYSTEM - UV SYSTEM - UV SYSTEM - UV SYSTEM - UV SYSTEM

SCREEN PRINTING SYSTEM



General Features

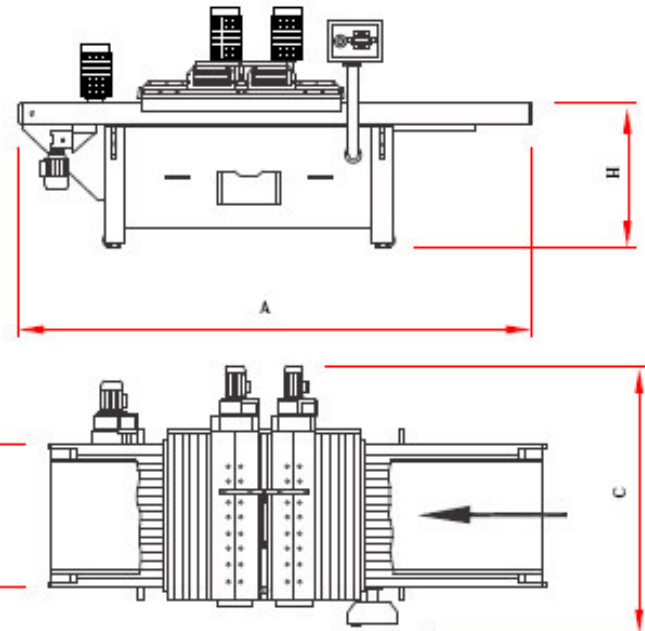
- Screencure model UV dryers are designed for screen printing presses and let UV ink printing and UV lacquer applications on PVC, PE or PP based materials.
- Membrane switch and PLC automation control
- Lamp power can be controlled in 3 levels as 60%, 80% and 100%.
- Extruded aluminum elliptic reflectors (patented by EMA) with a replaceable reflecting surface
- Extruded aluminum cabins (patented by EMA) for each lamp
- Conveyor with teflon band is speed and height adjustable and easily movable on wheels
- Gas spring lift system for the lamp cabin to protect the material and the band from heat in case of any conveyor drive failure
- The conveyor is cooled by a base vacuum system.
- Each lamp cabin is cooled by an individual fan for a long operating life and the flow rate is controlled according to the lamp power.
- An air pillow fan at the outlet of the machine
- An electrical drawer with wheels for easy maintenance
- Start/stop button, life counter and current indicator for each lamp
- Electro-statically painted machine body to prevent scratching
- 1000 operation hours warranty for the lamps, one year warranty for the machine

Optional Features

- Quartz tubes or panes as IR filters to protect the cured material from IR heat effect when curing plastic based materials
- A photo detector system to stop the conveyor in case of sheet flutter (Not required when quartz panes are used)

Technical Features

- 120 W/cm powered mercury UV lamps
- 380 Volt, 3 phases, 50 Hz energy supply



	Band Width	Conveyor Width	Overall Width	Conveyor Length	Conveyor Height	Conveyor Speed	Lamp Power	Input Voltage	Weight
	(mm)	B (mm)	C (mm)	A (mm)	H (mm)	(m/min)	(kW)	(Volt)	(kg)
SC 400-L1	350	550	1220	2500			4.8		550
SC 400-L2	350	550	1220	2500			9.6		600
SC 600-L1	500	670	1420	3000			7.2		650
SC 600-L2	500	670	1420	3000			14.4		700
SC 800-L1	700	870	1490	3000			9.6		750
SC 800-L2	700	870	1490	3000	900±40	5 - 25	19.2	380 - 415	800
SC 1100-L1	1000	1170	2050	4000			13.2		1050
SC 1100-L2	1000	1170	2050	4000			26.4		1100
SC 1600-L1	1500	1670	2550	4000			19.2		1450
SC 1600-L2	1500	1670	2550	4000			38.4		1500
SC 2000-L1	1900	2070	2615	4000			20.0		1850
SC 2000-L2	1900	2070	2615	4000			40.0		1900

The permission to make any modification on the above information without any notification is held by EMA.



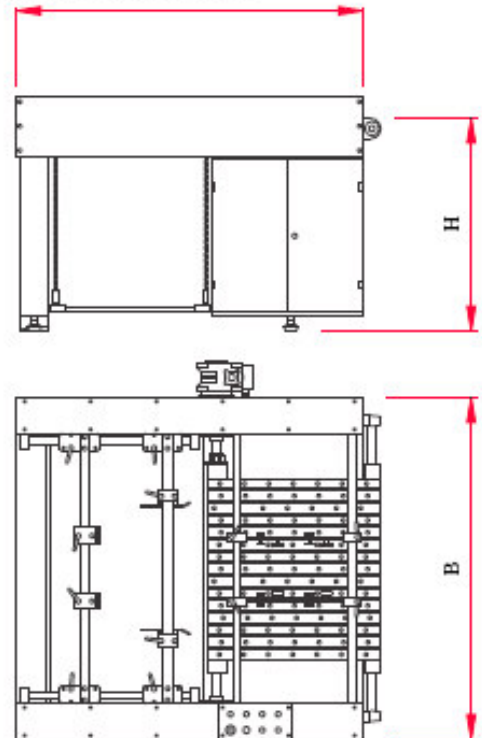
Stacking System for Screen Printing

General Features

- Screen printing auto stackers are designed to speed up the operation for the screen printing line.
- PLC automation control
- Height adjustable conveyor for an easy adaptation to the printing line
- Adjustable side and front flaps for different sheet sizes
- Adjustable guide rollers for the sheet transfer to achieve an easy and precise transfer
- Tidy sheet alignment on the edges with the synchronized side and front flap strokes
- Stack height adjustment easily made by the operator
- Automatic height adjustment of the stacking table by a capacitive sensor during the operation
- Audible caution system with a buzzer as a reminder for unloading the stack
- 1 pc emergency stop button on the control panel
- Electro-statically painted machine body to prevent scratching
- 1 year warranty

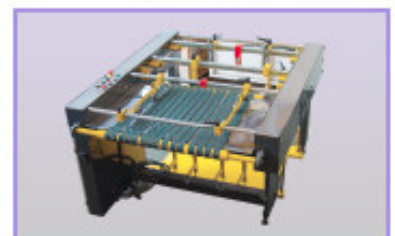
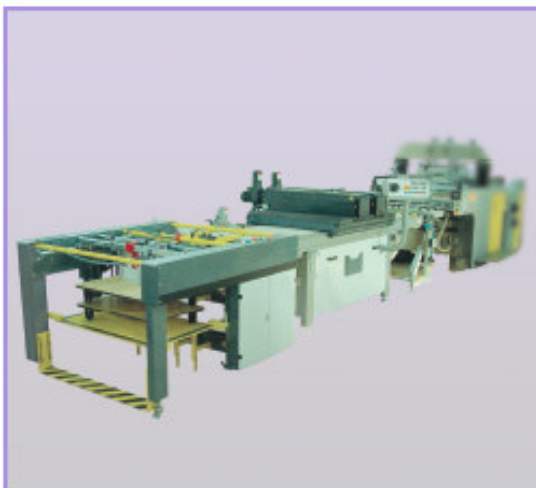
Technical Features

- 380 Volt, 3 phases, 50 Hz power supply



	Maximum Sheet Size	Length	Width	Height	Maximum Loading Height	Maximum Loading Weight	Air Pressure	Input Voltage	Weight
	(mmxmm)	A (mm)	B (mm)	H (mm)	(mm)	(kg)	(bar)	(Volt)	(kg)
AS 800	520x720	1420	1400	890 ± 50	700	350	6	380 - 415	480
AS 1100	720x1020	1820	1700			500			750

The permission to make any modification on the above information without any notification is held by EMA.



Jet-Air & UV System for Screen Printing

General Features

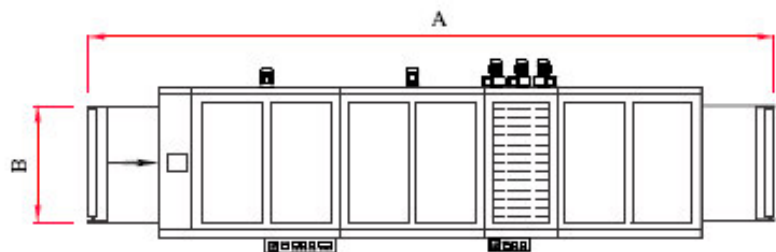
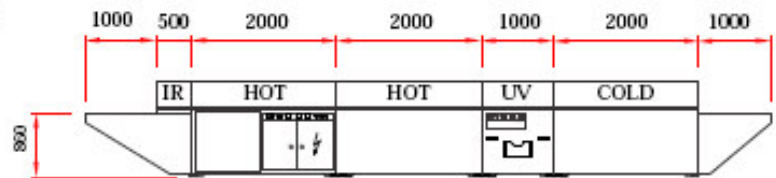
- Closed circuit hot air circulation on each module for homogeneity and energy save
- Extruded aluminum elliptic reflectors (patented by EMA) with a replaceable reflecting surface
- Isolated machine body for energy save and operator safety
- Height adjustable conveyor with teflon band and cooling system
- Base vacuum system for cooling the band and the removal of humidity and exhaust gases
- PID control and temperature adjustment
- Easily movable machine body
- Safety sensor for exhaust gases
- Wheeled electrical cabinet for easy maintenance
- Electro-statically painted machine body to prevent scratching
- 1000 operation hours warranty for the UV lamps, one year warranty for the machine

Optional Features

- PLC automation control
- IR heat-treatment module to speed up the process
- Extruded aluminum reflectors (patented by EMA) with a replaceable reflecting surface for IR module option

Technical Features

- 120 W/cm powered mercury UV lamps
- 380 Volt, 3 phases, 50 Hz energy supply



		Band Width	Conveyor Width	Conveyor Length	Conveyor Speed	Heating Power	UV Power	IR Power	Input Voltage	Weight
		(mm)	B (mm)	A (mm)	(m/min)	(kW)	(kW)	(kW)	(Volt)	(kg)
Without UV	JD 700	700	1000	8500	3 - 15	27	-	6	380 - 415	2900
	JD 1000	1000	1300			36	-	10		3800
	JD 1500	1500	1800			45	-	14		5300
	JD 1900	1900	2200			54	-	16		6600
With UV	JC 700	700	1000	9500	3 - 15	27	19.2	6	380 - 415	3400
	JC 1000	1000	1300			36	26.4	10		4400
	JC 1500	1500	1800			45	38.4	14		6200
	JC 1900	1900	2200			54	40.0	16		7700

Any heating or cooling unit can be added to machine optionally. Band width and drying width are equal.
 The permission to make any modification on the above information without any notification is held by EMA.



EXPOSURE UNIT

Exposure System for Screen Printing

General Features

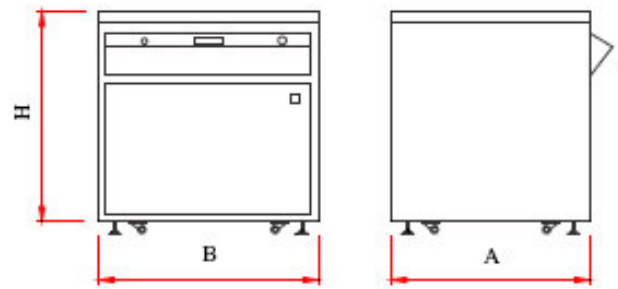
- Full automatic control system
- 16 channels computer control for different applications
- Light integrated system for automatic exposure against voltage fluctuation
- Easily movable body
- Electro-statically painted machine body to prevent scratching
- One year warranty

Optional Features

- 5000 W powered exposure lamp
- Automatic diffusion

Technical Features

- 380 Volt, 3 phases, 50 Hz energy supply



	Mould Size (mmxmm)	Print Size (mmxmm)	Width B (m)	Length A (mm)	Height H (mm)	Lamp Power (W)	Input Voltage (Volt)	Weight (kg)
EU 80x100	800x1000	500x700	1060	920	1000	2	380 - 415	120
EU 100x130	1000x1300	700x1000	1360	1120	1300			175
EU 120x140	1200x1400	900x1100	1460	1320	1400			200
EU 150x170	1500x1700	1100x1400	1760	1520	1500			250

The permission to make any modification on the above information without any notification is held by EMA.



DRYING OVEN

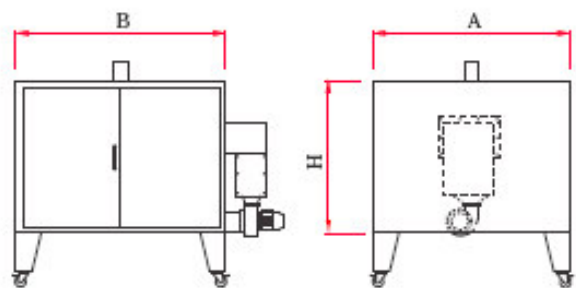
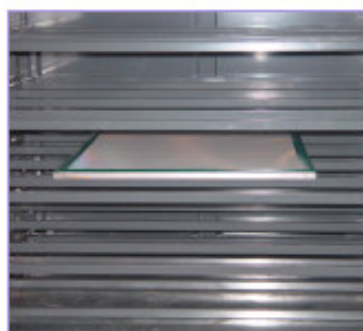
Screen Printing Plate Drying Oven

General Features

- Closed circuit hot air circulation
- Stainless inner surface
- Easily movable body
- Electro-statically painted machine body to prevent scratching
- One year warranty

Technical Features

- 60°C temperature
- 380 Volt, 3 phases, 50 Hz energy supply



	Maximum Plate Size (mmxmm)	Width B (mm)	Length A (mm)	Height H (mm)	Heating Power (kW)	Input Voltage (Volt)	Weight (kg)
SO 1000	1400x1400	1650	1550	1200	3	380 - 415	390

The permission to make any modification on the above information without any notification is held by EMA.